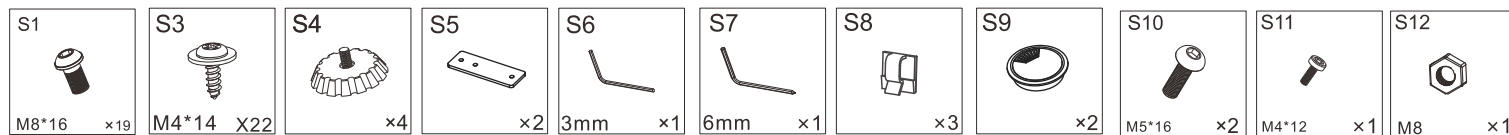
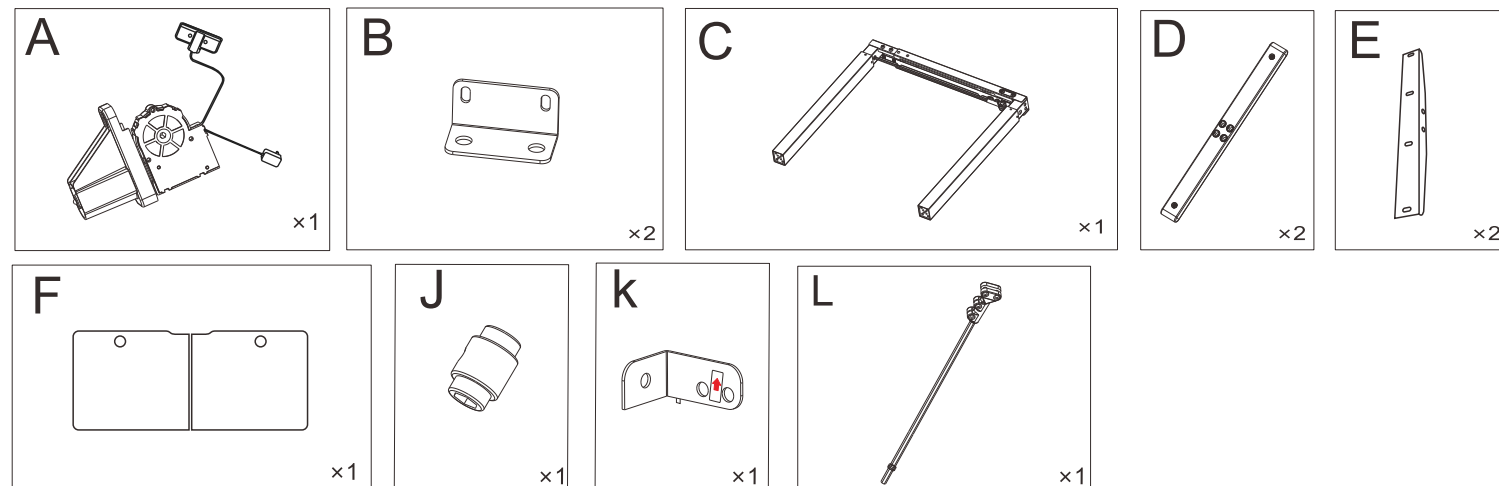


Assembly Instruction

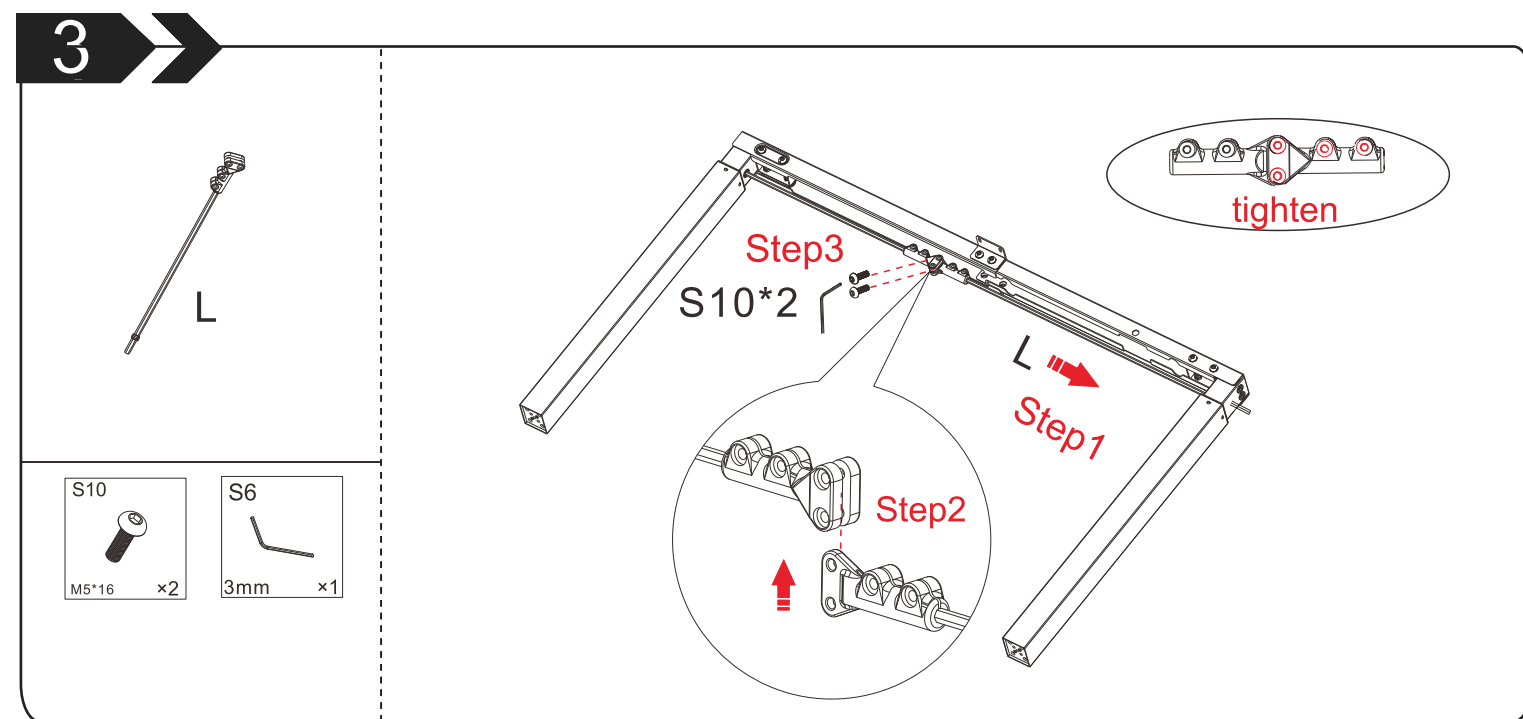
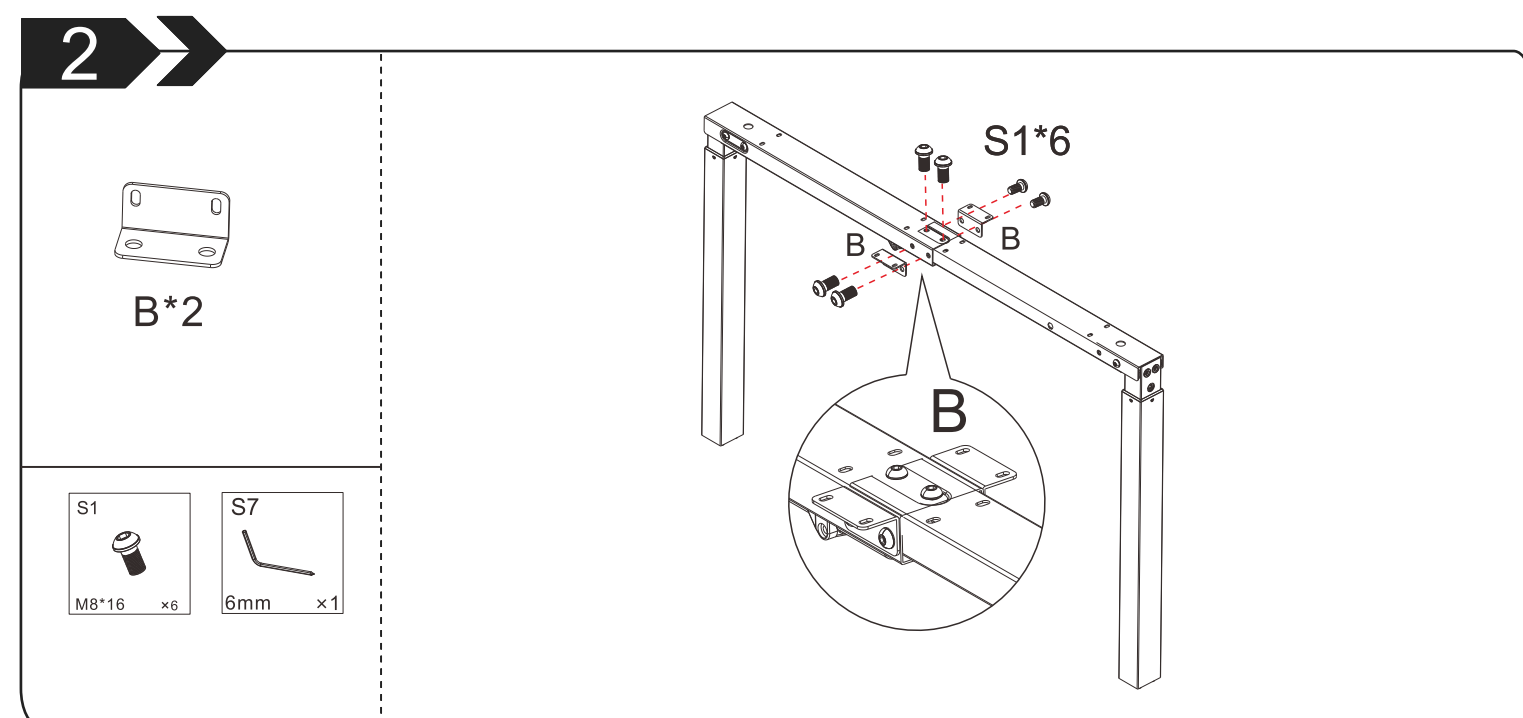
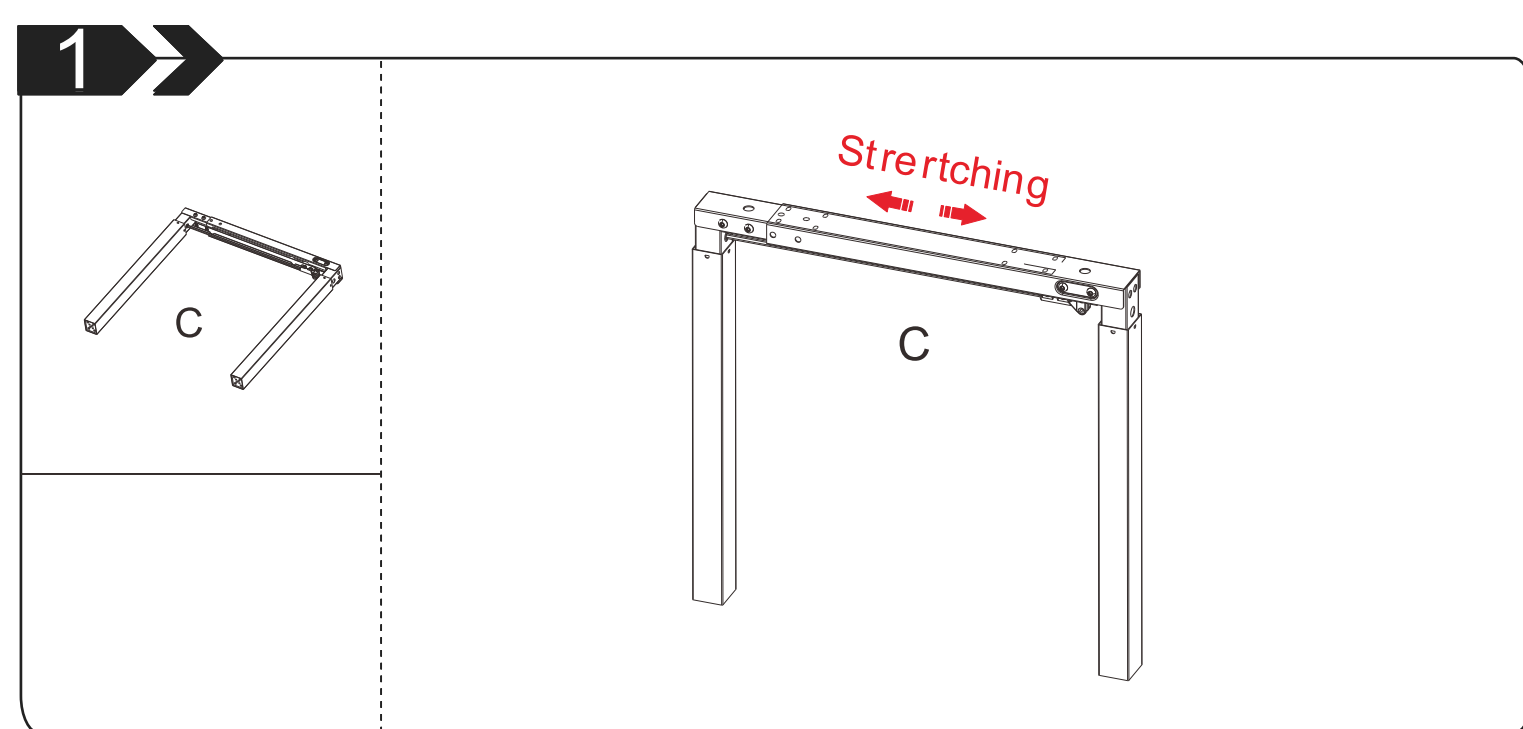
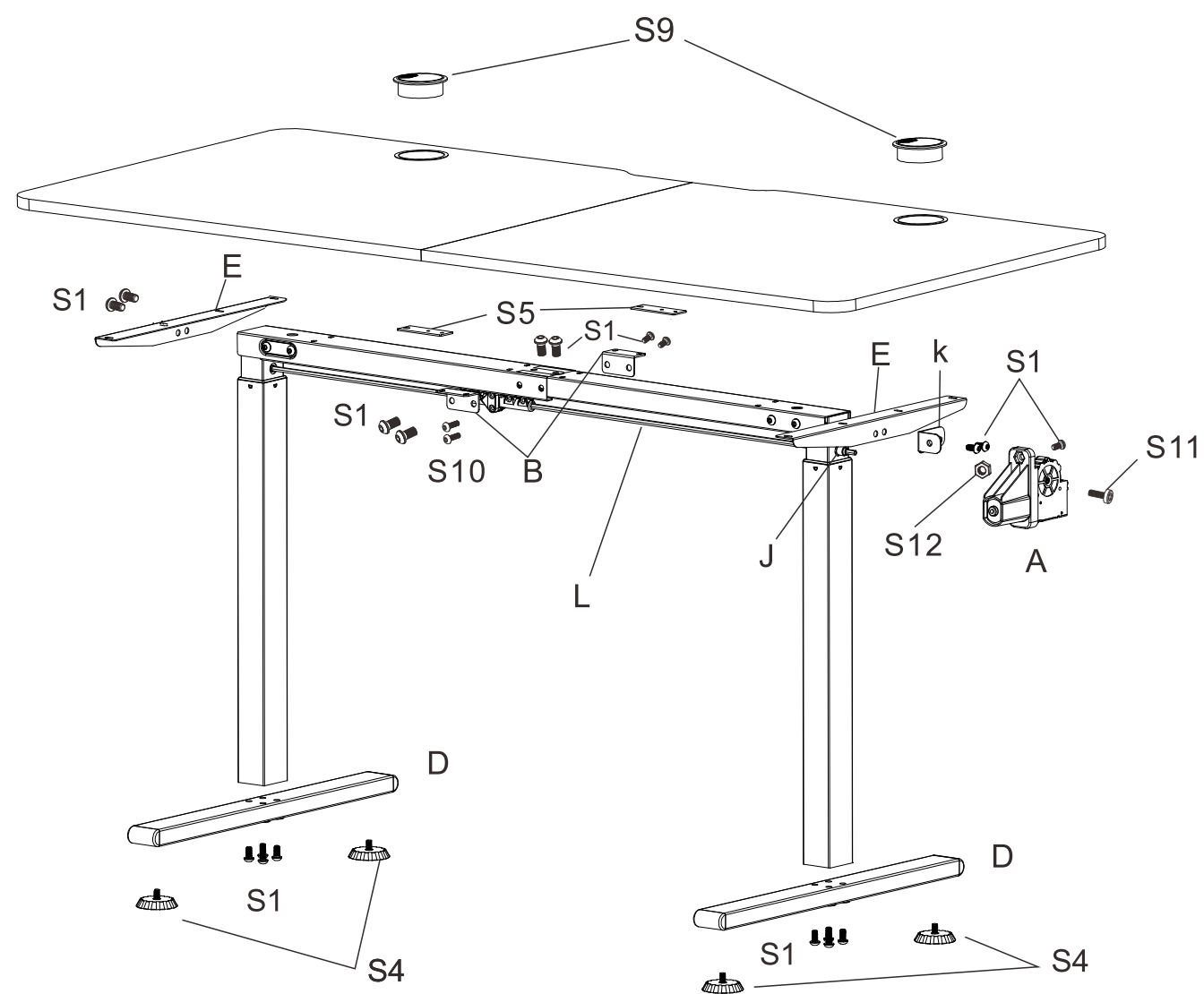
• SCREW ACCESSORIES



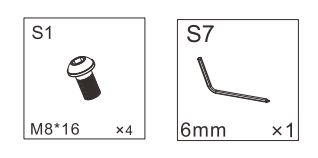
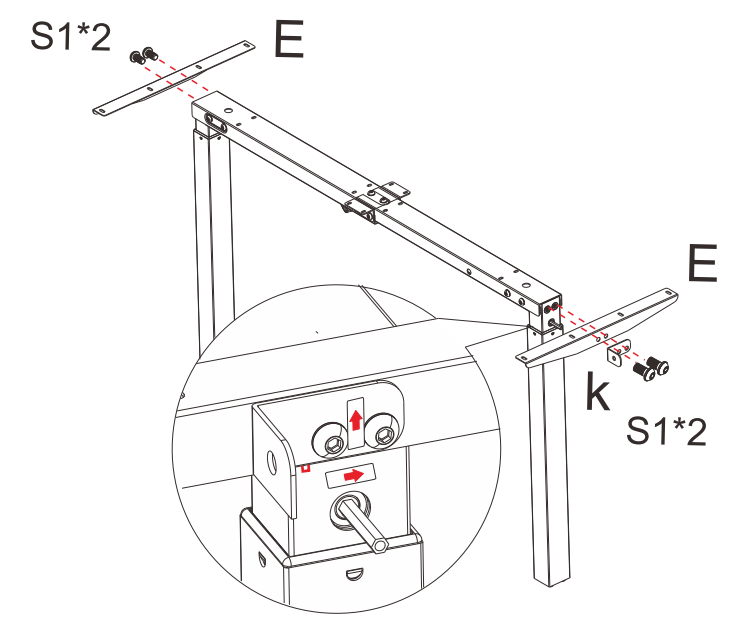
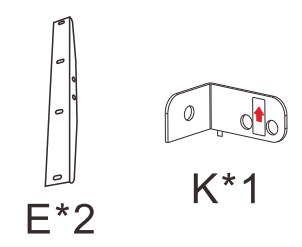
• PARTS ACCESSORIES



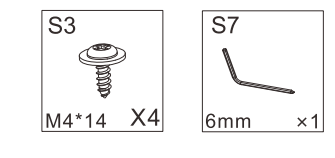
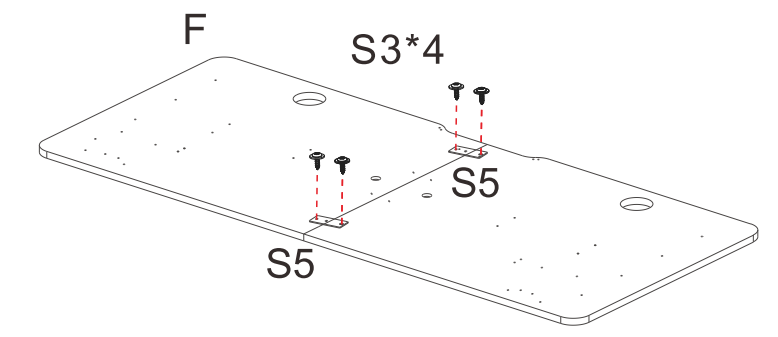
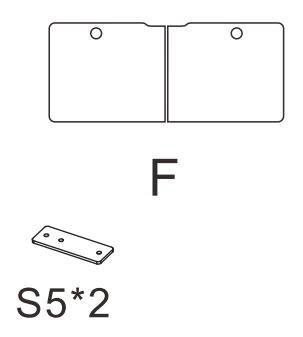
• DETAIL INSTRUCTION



4

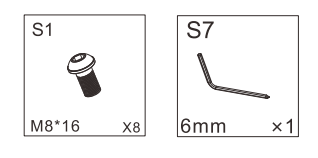
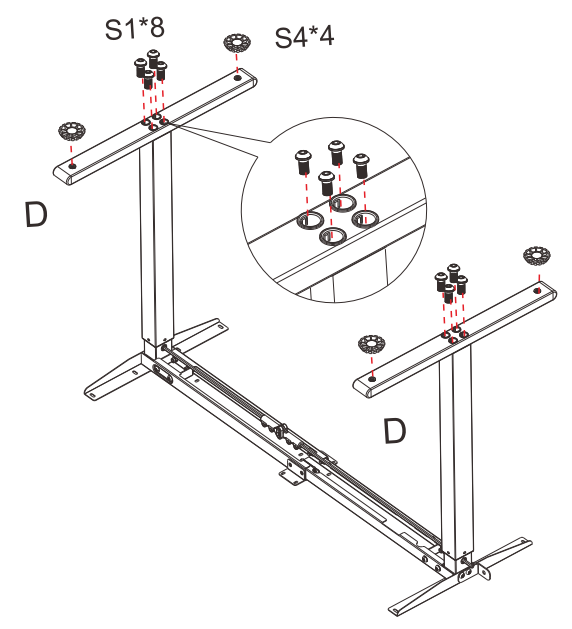
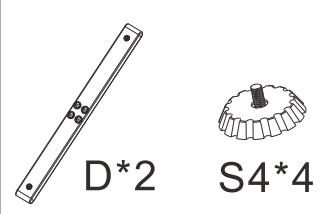


7

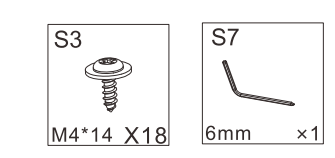
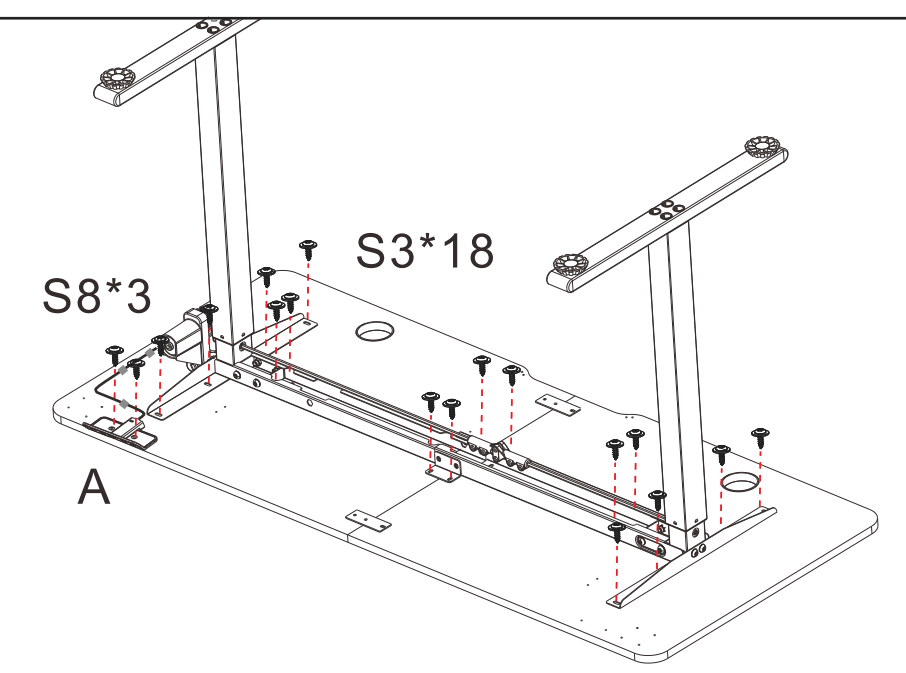
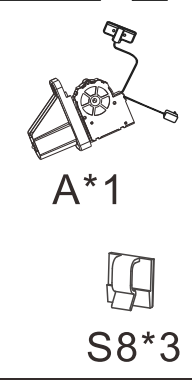


! 1.Please make sure the two boards are aligned and seamless
2.and then tighten the screws.

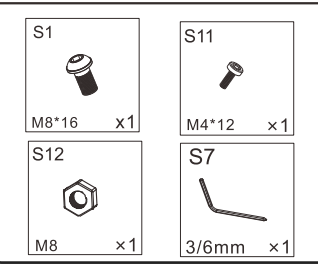
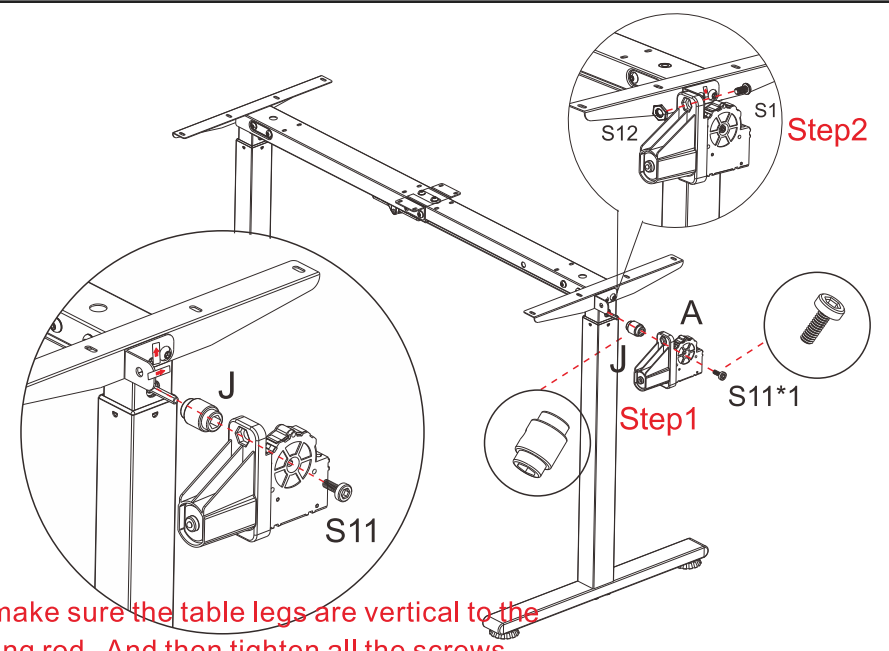
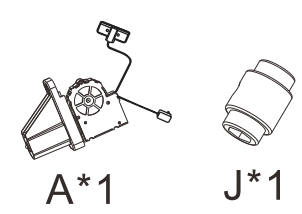
5



8

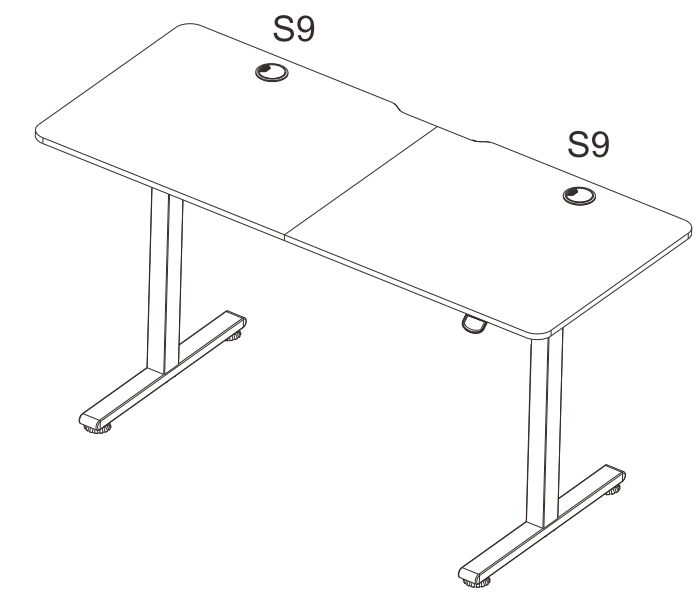


6



! Please make sure the table legs are vertical to the connecting rod . And then tighten all the screws.

9



After the table is installed, please press the key to start

The table will automatically drop to the lowest point, stay for 3 seconds, then rise to the highest point, and finally return to the initial position - successful installation